

## Embedded Systems

NEW

# VIA VIPRO VP7710

Fanless Panel PC with 10.4"  
TFT LCD and Touch Screen

## Features

- Fanless and ultra low power consumption
- Built-in 1.6 GHz VIA Eden™ ULV or 1.0 GHz VIA C7® processor
- 10.4" TFT LCD panel with touch screen
- Integrated VIA UniChrome™ Pro II 3D/2D AGP graphics with MPEG-2/4 and WMV9 video decoding acceleration
- Supports Gigabit Ethernet, with optional Wireless LAN 802.11b/g
- IP65 front panel compliant against water and dust

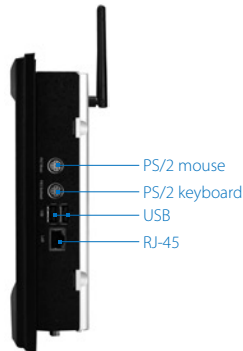


## Specifications

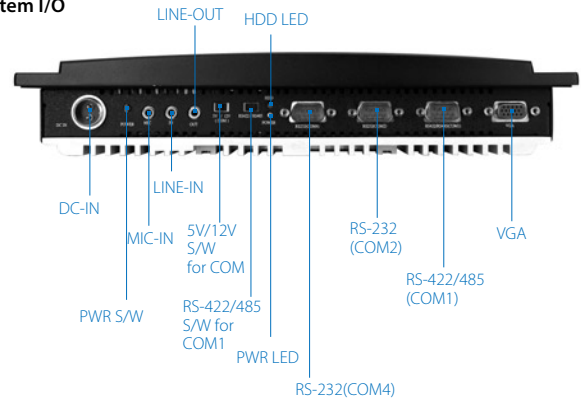
| Part Number             |                                | VP-7710-R1E16A1   | VP-7710-R1C10A1 |
|-------------------------|--------------------------------|---|-----------------|
| <b>Computing System</b> | <b>Processor</b>               | 1.6 GHz VIA Eden™ ULV   | 1.0 GHz VIA C7® |
|                         | <b>Front Side Bus</b>          | 800 MHz   | 400 MHz         |
|                         | <b>L2 Cache</b>                | 128 KB  | 128 KB          |
|                         | <b>Chipset</b>                 | VIA CX700M2 Unified Digital IGP chipset   |                 |
|                         | <b>BIOS</b>                    | Award 4MBit Flash BIOS  |                 |
|                         | <b>System Power Management</b> | Timer Power-on, ACPI supported  |                 |
| <b>Memory</b>           | <b>Technology</b>              | 1 x DDR2 533 200-pin SDRAM SODIMM socket  |                 |
|                         | <b>Max. Capacity</b>           | Up to 1 GB  |                 |
| <b>Graphic</b>          | <b>Controller</b>              | Integrated VIA UniChrome™ Pro II 3D/2D AGP graphics with MPEG-2/4 and WMV9 video decoding acceleration    |                 |
|                         | <b>Display Memory</b>          | Optimized shared memory architecture, supports up to 128 MB frame buffer using system memory              |                 |
| <b>LCD Display</b>      | <b>LCD Type</b>                | 10.4" Color TFT LCD panel   |                 |
|                         | <b>Resolution/Color</b>        | Up to 800 x 600 @ 262K  |                 |
|                         | <b>Pixel Pitch</b>             | 0.264 mm x 0.264 mm   |                 |
|                         | <b>Viewing Angle</b>           | 70° (right), 70° (left), 55° (up) and 65° (down)  |                 |
|                         | <b>Luminance</b>               | 230 cd/m²   |                 |
|                         | <b>Backlight MTBF</b>          | 30,000 hours (typical)  |                 |
| <b>Touch Screen</b>     | <b>Type</b>                    | Analog resistive, continuous resolution   |                 |
|                         | <b>Light Transmission</b>      | 82.5% (typical)   |                 |
|                         | <b>Controller</b>              | USB interface   |                 |
|                         | <b>Durability</b>              | 1 million touches   |                 |
| <b>Ethernet</b>         | <b>Controller</b>              | VIA VT6122 Gigabit Ethernet   |                 |
|                         | <b>Interface</b>               | Supports 1 x RJ45 connector<br>Supports Wake-on LAN (WOL)<br>Supports Preboot Execution Environment (PXE) |                 |
| <b>Audio</b>            | <b>Controller</b>              | VIA VT1708A High Definition Audio Codec   |                 |
|                         | <b>Interface</b>               | Supports Line in, Line-out, Mic-in connectors   |                 |
| <b>Serial</b>           | <b>USB</b>                     | 2 x USB ports, USB 2.0 compliant  |                 |
|                         | <b>Serial Ports</b>            | 3 x COM ports (2 x RS-232 & 1 x RS-422/485)<br>5V/12V selectable  |                 |
| <b>Storage</b>          | <b>HDD</b>                     | 1 x 2.5" drive bay  |                 |
|                         | <b>Compact Flash</b>           | 1 x Type I socket   |                 |
| <b>System Indicator</b> | <b>Power Status LED</b>        | 1 x Orange color LED  |                 |
|                         | <b>HDD Activity LED</b>        | 1 x Blue color LED  |                 |
| <b>Watch Dog Timer</b>  | <b>Output</b>                  | System reset  |                 |
|                         | <b>Interval</b>                | Programmable 1 ~ 255 sec  |                 |



## Side System I/O



## Bottom System I/O



## Specifications

| Part Number                 |   | VP-7710-R1E16A1   | VP-7710-R1C10A1  |
|-----------------------------|---|---|--|
| System I/O                  | <b>Bottom I/O Ports</b>                   | 1 x VGA connector<br>1 x RS-422/485 serial port connector as COM1<br>2 x RS-232 serial port connectors as COM2 and COM4<br>1 x 5V/12V selectable switch for COM1, COM2 and COM4<br>3 x Audio jacks of Line-out, Line-in and Mic-in connectors<br>1 x ATX power on/off button<br>1 x 2-pole, DC DIN jack power input connector<br>1 x antenna hole for optional WLAN |  |
|                             | <b>Side I/O Ports</b>                     | 1 x PS/2 mouse connector, 1 x PS/2 keyboard connector<br>2 x USB 2.0 connectors, 1 x RJ45 connector   |  |
| Power Supply                | <b>Power Consumption</b>                  | Maximum 32 W<br>Typical 24.6 W  | Maximum 28 W<br>Typical 22.8 W   |
|                             | <b>Input Voltage</b>                      | 7V <sub>DC</sub> ~ 30 V <sub>DC</sub><br>Typical:<br>7V <sub>DC</sub> @ 4.57 A<br>12V <sub>DC</sub> @ 2.66 A<br>16V <sub>DC</sub> @ 1.93 A<br>19V <sub>DC</sub> @ 1.68 A<br>24V <sub>DC</sub> @ 1.33 A<br>30V <sub>DC</sub> @ 1.1 A   | 7V <sub>DC</sub> ~ 30 V <sub>DC</sub><br>Typical:<br>7V <sub>DC</sub> @ 3.25 A<br>12V <sub>DC</sub> @ 1.9 A<br>16V <sub>DC</sub> @ 1.42 A<br>19V <sub>DC</sub> @ 1.2 A<br>24V <sub>DC</sub> @ 0.95 A<br>30V <sub>DC</sub> @ 0.76 A |
|                             | <b>Input Power Protection</b>             | Supports over voltage protection<br>Supports over current protection<br>Supports under voltage protection   |  |
|                             | <b>Mechanical</b>                         |   |  |
| Mechanical                  | <b>Construction</b>                       | Aluminum mixed with heavy-duty steel  |  |
|                             | <b>Mounting</b>                           | Panel/Wall/Table/VESA mountable   |  |
|                             | <b>Dimensions (W x H x D)</b>             | 300.4 mm x 205.9 mm x 55.2 mm (11.82" x 8.1" x 2.17")   |  |
|                             | <b>Weight</b>                             | 3.6 kg (7.9 lbs)  |  |
| Environmental Specification | <b>Operating Temperature</b>              | 0°C ~ 45°C  |  |
|                             | <b>Storage Temperature</b>                | -20°C ~ 70 °C   |  |
|                             | <b>Relative Humidity</b>                  | 0 ~ 90% @ 45°C, non-condensing  |  |
|                             | <b>Vibration Loading During Operation</b> | When system equipped with Compact Flash Disk only: 5Grms, IEC 60068-2-64, random, 5 ~ 500Hz, 1 Oct./min, 1hr/axis   |  |
|                             | <b>Shock During Operation</b>             | When system equipped with 2.5" Hard Disk Driver: 20G, IEC 60068-2-27, half sine, 11ms duration<br>When system equipped with Compact Flash Disk: 50G, IEC 60068-2-27, half sine, 11ms duration   |  |
|                             | <b>Front Panel Protection</b>             | IP65 compliant  |  |
| Software Compatibility      | <b>EMC Approved</b>                       | CE, FCC Class B   |  |
|                             | <b>Safety Approved</b>                    | UL  |  |
|                             | <b>Operation System</b>                   | Microsoft Widows XP, Windows XP Embedded, Windows CE 6.0  |  |

## Ordering Information

| Part Number     | CPU Frequency     | Description   |
|-----------------|-------------------|---|
| VP-7710-R1E16A1 | 1.6 GHz Eden™ ULV | 1.6 GHz Eden™ ULV based fanless 10.4" touch panel PC, with VGA, 2 x USB 2.0, 3 x COM, 1 x GigaLAN |
| VP-7710-R1C10A1 | 1.0 GHz C7®       | 1.0 GHz C7® based fanless 10.4" touch panel PC, with VGA, 2 x USB 2.0, 3 x COM, 1 x GigaLAN       |

## Optional Accessories

### External AC-to-DC Adapter and Power Cable

| Part Number  | Description                                 |
|--------------|---|
| 99G63-020065 | AC-to-DC adapter, 2-pole, DC 12V/5A, 60 W   |
| 99G33-02032C | Power cable, 180 cm, USA type               |
| 99G33-02034C | Power cable with PSE mark, 180 cm for Japan |
| 99G33-02033C | Power cable, 180 cm, Europe type            |
| 99G33-02031C | Power cable, 180 cm, UK type                |

### WLAN USB Module

| Part Number    | Description                        |
|----------------|------------------------------------|
| EMIO-1530-00A1 | 802.11 b/g Wireless LAN USB module |

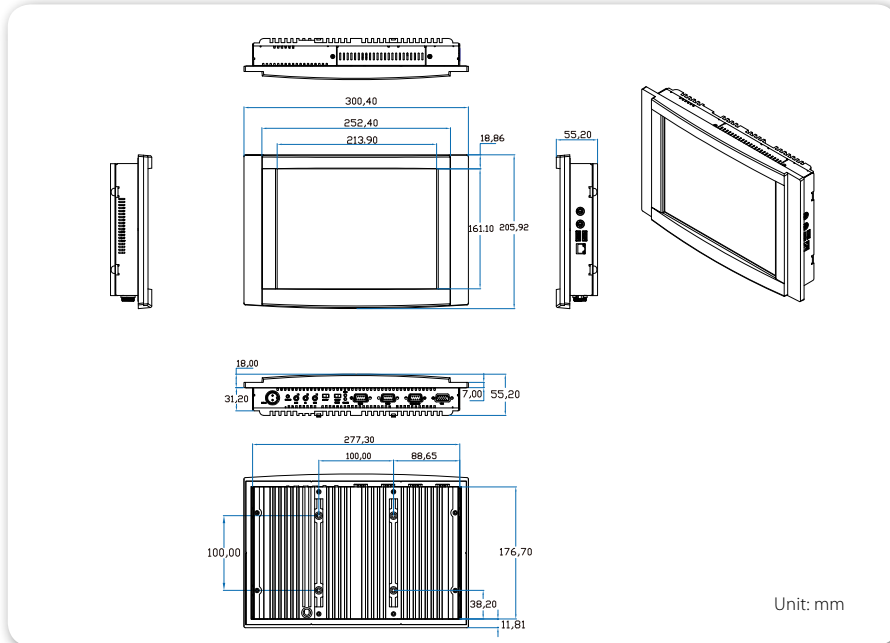
### Embedded OS (Only available for OEM service)

| Part Number      | Description  |
|------------------|--|
| POS-MXPELI-ENS00 | Windows XP Embedded SP2 Feature Pack 2007 OS image and license for VIPRO VP7710, English version |
| POS-MCE6LI-ENS00 | Windows CE 6.0 Professional OS image and license for VIPRO VP7710 English version                |

### Mounting Plate

| Part Number  | Description                         |
|--------------|-------------------------------------|
| 99G42-090164 | Wall-mount bracket for VIPRO VP7710 |
| 99G42-090154 | Desktop stand for VIPRO VP7710      |

## Dimensions



## Packing List

- 1 x VIPRO VP7710 unit
- 1 x Driver Utility CD
- 1 x Power cable, DIN-jack to DC-plug
- 1 x IDE cable
- 1 x SATA data cable
- 1 x Panel mounting plate